

CHECK POINT + GARLAND TECHNOLOGY NETWORK EDGE MANAGEMENT

Benefits

- Support up to four active, in-line tools and multiple out-of-band monitoring tools
- Chaining (or serial) configuration provides 100% visibility allowing each appliance to analyze data
- Advanced load balancing (or parallel) configuration is a cost effective solution to maximize your 1G NGFW or DDoS investment
- Query before and after packet capture stores to validate policy changes
- Complete visibility and real-time monitoring both in-line and out-of-band tools
- Take appliances off-line for updates, maintenance or trouble shooting

INSIGHTS

For enterprise networks that manage multiple data centers and hybrid cloud environments, the integration of Check Point Next Generation Threat Prevention & SandBlast (NGTX) Appliances and/or Distributed Denial of Service (DDoS) Protector with Garland EdgeLens® In-line Security Network Packet Broker provides a fail-safe bypass TAP along with advanced filtering, aggregating, regeneration and load balancing functionality.

100% NETWORK VISIBILITY AND ACCESS

Through the integration with Garland Technology EdgeLens, Check Point NGTX and/or DDoS Protector products can be configured in serial (chaining) or in parallel (load balancing) to meet your network security needs for up to four in-line devices.

MANAGE MULTIPLE IN-LINE SECURITY TOOLS

The EdgeLens is a fail-safe bypass TAP with a built in network packet broker for complete management of the edge of your network. Deploy in-line security tools and out-of-band monitoring tools while gaining 100% network access and visibility.

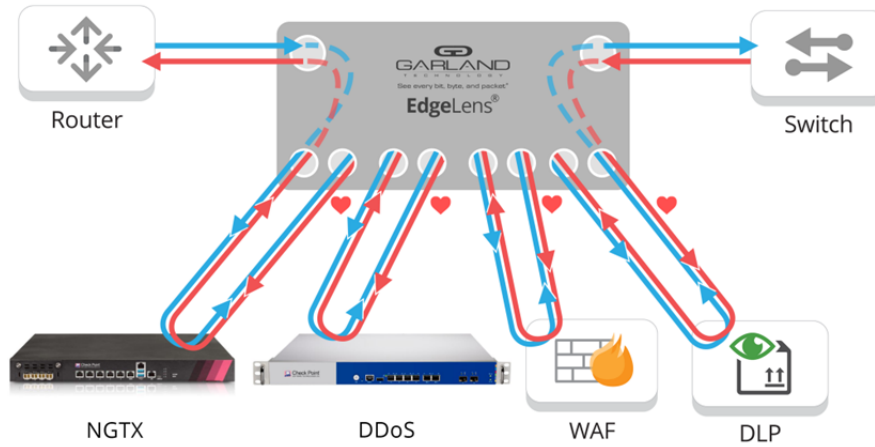
DEPLOYMENT OPTIONS

When your 1G tools can no longer keep up with your 10G network or if you need to connect multiple tools to one network link, EdgeLens provides flexibility and scalability for your network needs.

- TAP once and connect in-line security appliances
- TAP a 1G link - or - a 10G link and deliver data to 1G and 10G tools
- TAP a 10G link and deliver data to 1G and 10G tools

10G CHAINING OF UP TO FOUR IN-LINE SECURITY DEVICES

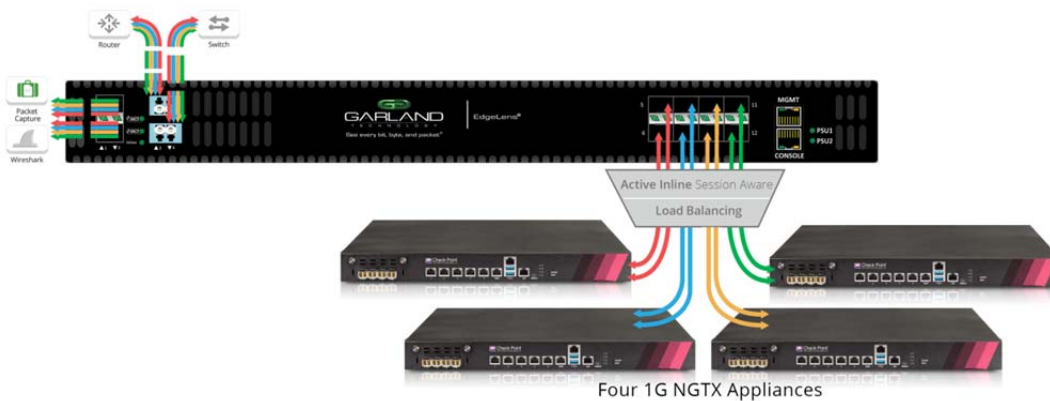
Chaining or serial deployment creates a unified visibility layer by connecting all security appliances to each other and to EdgeLens. In a chaining scenario, all network traffic enters EdgeLens; it then sends data packets through the in-line security appliance chain. Each appliance analyzes the data, after the data is cleared EdgeLens copies and stores it for forensics analysis. This full visibility allows administrators to monitor data packets both before and after they pass through the security stack while maintaining network efficiency.



Chaining in-line security tools in serial to analyze packets by each security tool

ADVANCED LOAD BALANCING OF FOUR 1G IN-LINE SECURITY DEVICES

Advanced load balancing is a cost effective strategy when you have a 10G link and multiple 1G appliances. Here, you see an EdgeLens packet broker with 12 ports. Traffic comes in from the 10G link between a router and a switch and is copied to two out-of-band solutions, a forensics application and Wireshark. The traffic is then load balanced across four separate 1G Check Point NGTXs.



Load balancing 10G links across four 1G links

ABOUT CHECK POINT

Check Point Software Technologies Ltd. (www.checkpoint.com) is the largest network cyber security vendor globally, providing industry-leading solutions and protecting customers from cyberattacks with an unmatched catch rate of malware and other types of threats. Check Point offers a complete security architecture defending enterprises – from networks to mobile devices – in addition to the most comprehensive and intuitive security management. Check Point protects over 100,000 organizations of all sizes.

ABOUT GARLAND TECHNOLOGY

Garland Technology guarantees precise data monitoring capabilities with a full line of network access points (TAPs) including: network TAPs that support breakout, aggregation, filtering, regeneration and bypass modes; packet brokering and load balancing; all available in portable or 1U or 2U modular chassis systems. Garland network TAPs support all networks, including copper wire in 10/100M, 10/100/1000M and fiber in 1G, 10G, 40G, 100G. Garland's network TAPs avoid introducing additional software that could be a point of failure to your network. For more information, visit www.garlandtechnology.com.

CONTACT US

Worldwide Headquarters | 5 Ha'Solelim Street, Tel Aviv 67897, Israel | Tel: 972-3-753-4555 | Fax: 972-3-624-1100 | Email: info@checkpoint.com
U.S. Headquarters | 959 Skyway Road, Suite 300, San Carlos, CA 94070 | Tel: 800-429-4391; 650-628-2000 | Fax: 650-654-4233 | www.checkpoint.com